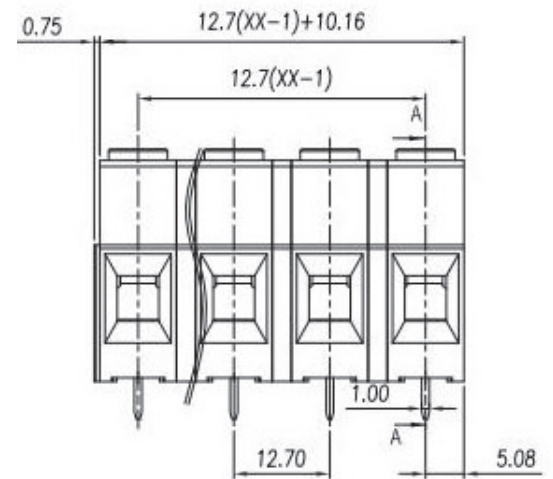
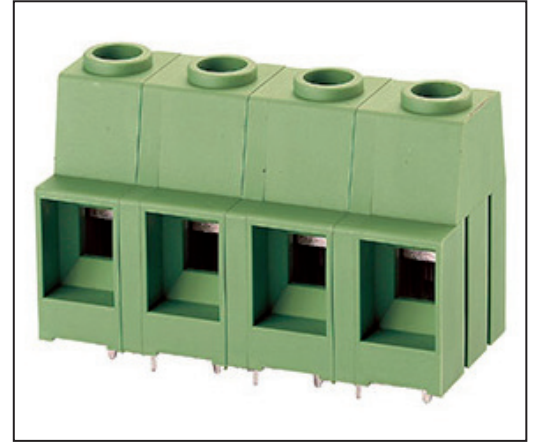
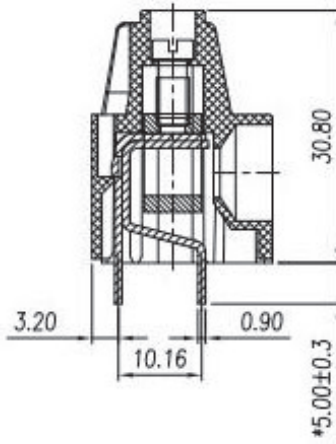
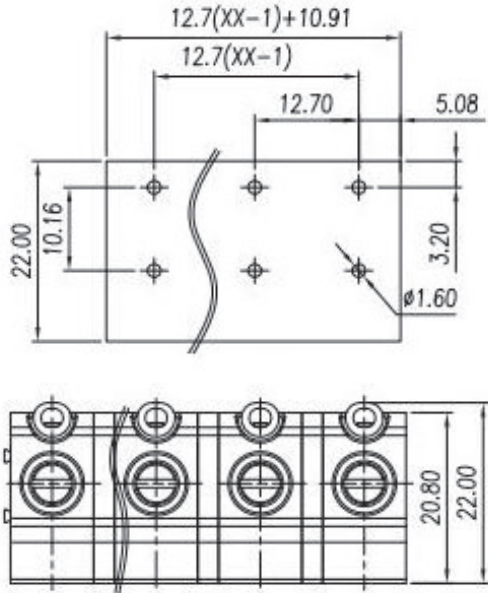


PCB Terminal Blocks, Fixed Horizontal Wire Entry, High Current ASIWJ116VK-12.7



Certification	
	UL [®] US
Material	
Screw	M4.0, Steel Zinc Plated
Cage	Copper Alloy, Nickel Plated
Pin/Plate	Copper Alloy, Tin Plated
Housing	PA66, UL 94V-0, Green
Electrical	
Standard	UL 1059/CSA C22.2 No. 158
Rated Voltage	600 V
Rated Current	65 A
Wire Range	20-6 AWG
Contact Resistance	20mΩ
Insulation Resistance	500MΩ/500 Vdc
Withstand Voltage	2500 Vac/1 Min
Mechanical	
Temperature Range	-40°C...+105°C
Torque	1.2N-m (10.5lb-in)
Strip Length	10-11 mm (0.39-0.43")
Size	
Pitch	12.7 mm (.500")
Poles	2P-3P. Additional sizes available on request.

Item	No. of Poles	Length (mm)
ASIWJ116VK-12.7-2P	2	23.6
ASIWJ116VK-12.7-3P	3	36.3